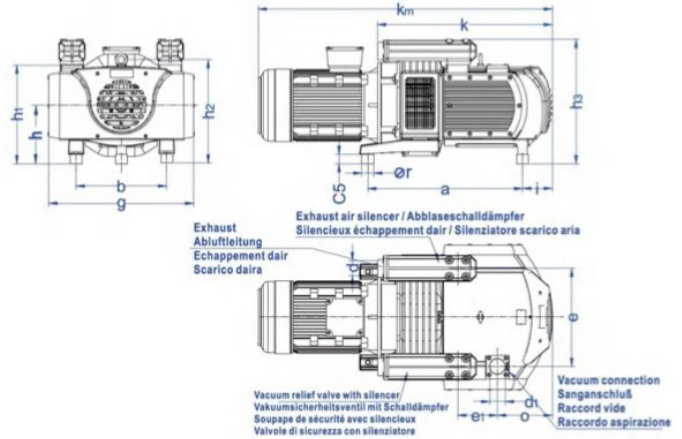


Dry Rotary Vane Vacuum Pump

VTLF 200/250/360/400



Technical Parameters

Model	Air Flow		Motor Power(KW)		Motor Power(V)		Motor Speed(rpm)		Sound level		vacuum (mbar)	Weight (Kg)
	m3/h		3 phase		3 phase		3 phase		dB(A)			
	50Hz	60Hz	5Hhz	60Hz	50Hz	60Hz	50Hz	60Hz	50Hz	60Hz		
VTLF200	178	218	4	4.8	400V±10%	400V±10%	960	1150	75	77	200	258
VTLF250	250	300	5.5	6.6	400V±10%	400V±10%	960	1150	81	81	200	280
VTLF360	351	-	11	-	400V±10%	400V±10%	1430	-	81	81	250	312.0
VTLF400	400	480	7.8	9.3	400V±10%	400V±10%	960	1150	81	81	250	320

Mounting Dimensions

measure: mm

Type	a	b	c5	d	d1	e	e1	g	h	h1	h2	h3	l	K	km	o	s
VTLF200	645	380	40	G2	G2-1/2	423	216	612	225	388	426	493	125	684	1092	171	M10
VTLF250	645	380	40	G2	G2-1/2	423	216	612	225	388	426	493	125	684	1092	171	M10
VTLF360	645	380	40	G2	G2-1/2	423	216	612	225	388	426	493	125	684	1092	171	M10
VTLF400	658	420	40	G2-1/2	G3	423	170	612	225	388	426	550	125	780	1260	235	M10

Performance Data

